

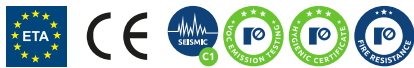
R-CFS+KERII Hybrid resin with Threaded Rods

High strength and versatile application in cracked and non-cracked concrete with threaded rods.



Approvals and Reports

• ETA-17/0594



Product information

Features and benefits

- Approved for use with threaded rods in cracked and non-cracked concrete
- Suitable for use in dry or wet substrates and water filled holes
- For faster curing winter version of the resin can be used
- Approved for 3 types of hole cleaning (including use of dustless drill bit)
- Special nozzle with longer mixer for more comfortable and precise application
- Suitable for multiple use. Partly used product can be reused after fitting new nozzle
- Very high load capacity
- Unique soft foil pack for less waste
- Effortless extrusion due to the patented self-opening system with manual or battery dispenser guns

Applications

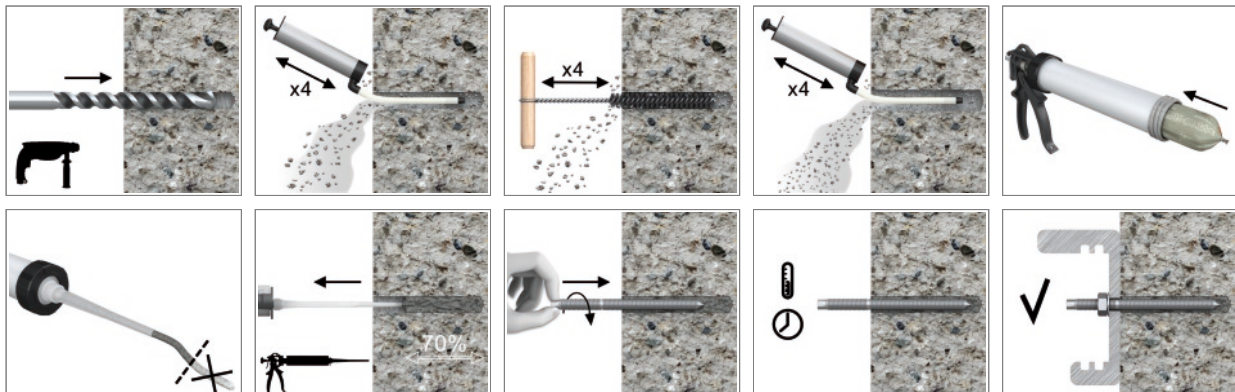
- Curtain walling
- Balustrading
- Handrails
- Canopies
- Cable conduits and trays
- Fencing & gates manufacturing and installation
- Pipework/ductwork supports
- Platforms
- Pipelines systems
- Passenger lifts
- Safety barriers
- Formwork support systems
- Structural steelwork
- Street lamps
- Racking systems
- Barriers

Base materials

Approved for use in:

- Cracked concrete C20/25-C50/60
- Non-cracked concrete C20/25-C50/60

Installation guide



Product information

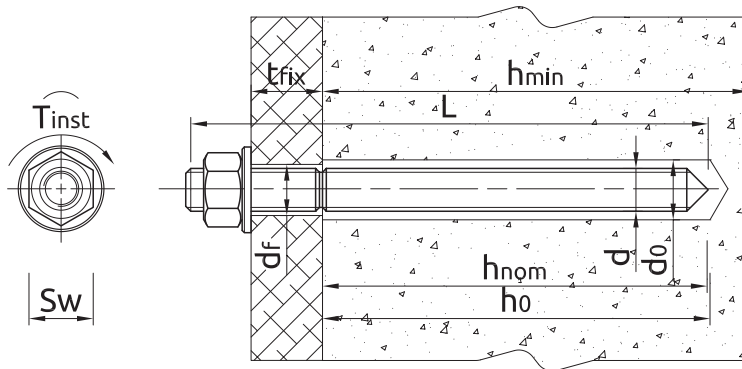
1. Drill hole to the required diameter and depth for stud size being used.
2. Clean the hole thoroughly with brush and hand pump at least four times before installation.
3. Insert cartridge into gun and attach nozzle.
4. Dispense to waste until even colour is obtained (min. 10 cm).
5. Insert the mixer nozzle to the bottom of the drill hole and inject resin, slowly withdrawing the nozzle as the hole is filled to 70% of its depth.
6. Immediately insert the stud, slowly and with slight twisting motion. Remove any excess resin around the hole before it sets and leave it undisturbed until the curing time elapses.
7. Attach fixture and tighten the nut to the required torque.

Product Code	Resin	Description / Resin Type	Volume
			[ml]
R-CFS+KERII-600	R-CFS+KERII	R-KER II Hybrid Resin	600
R-CFS+KERII-600-S		R-KER II Hybrid Resin for High Temperature (Summer) / Slow Cure Styrene Free Hybrid Resin	

R-STUDS

Size	Product Code			Anchor		Fixture		
	Steel class 5.8	Steel class 8.8	Steel grade A4	Diameter	Length	Hole diameter	Max. thickness t_{fix} for:	
				d	L	d_f	$h_{nom,min}$	$h_{nom,max}$
				[mm]	[mm]	[mm]	[mm]	[mm]
M8	R-STUDS-08110	R-STUDS-08110-88	R-STUDS-08110-A4	8	110	9	40	-
	R-STUDS-08160	-	R-STUDS-08160-A4	8	160	9	90	-
M10	R-STUDS-10130	R-STUDS-10130-88	R-STUDS-10130-A4	10	130	12	58	-
	R-STUDS-10170	-	R-STUDS-10170-A4	10	170	12	98	-
	R-STUDS-10190	-	R-STUDS-10190-A4	10	190	12	118	-
M12	R-STUDS-12160	R-STUDS-12160-88	R-STUDS-12160-A4	12	160	14	85	-
	R-STUDS-12190	-	R-STUDS-12190-A4	12	190	14	115	-
	R-STUDS-12220	-	R-STUDS-12220-A4	12	220	14	145	-
	R-STUDS-12260	-	R-STUDS-12260-A4	12	260	14	185	-
	R-STUDS-12300	-	R-STUDS-12300-A4	12	300	14	225	45
M16	R-STUDS-16190	R-STUDS-16190-88	R-STUDS-16190-A4	16	190	18	111	-
	R-STUDS-16220	R-STUDS-16220-88	R-STUDS-16220-A4	16	220	18	141	-
	R-STUDS-16260	-	R-STUDS-16260-A4	16	260	18	181	-
	R-STUDS-16300	-	R-STUDS-16300-A4	16	300	18	221	-
	R-STUDS-16380	-	R-STUDS-16380-A4	16	380	18	301	41
M20	R-STUDS-20260	R-STUDS-20260-88	R-STUDS-20260-A4	20	260	22	157	-
	R-STUDS-20300	-	R-STUDS-20300-A4	20	300	22	197	-
	R-STUDS-20350	-	R-STUDS-20350-A4	20	350	22	247	-
M24	R-STUDS-24300	R-STUDS-24300-88	R-STUDS-24300-A4	24	300	26	176	-
M30	R-STUDS-30380	R-STUDS-30380-88	R-STUDS-30380-A4	30	380	32	226	-

Installation data



R-STUDS

Size	M8	M10	M12	M16	M20	M24	M30		
Thread diameter	d	[mm]	8	10	12	16	20	24	30
Hole diameter in substrate	d ₀	[mm]	10	12	14	18	24	28	35
Hole diameter in fixture	d _f	[mm]	9	12	14	18	22	26	32
Min. hole depth in substrate	h ₀	[mm]	h _{nom} + 5	h _{nom} + 5	h _{nom} + 5	h _{nom} + 5	h _{nom} + 5	h _{nom} + 5	h _{nom} + 5
Min. substrate thickness	h _{min}	[mm]	h _{nom} + 30 ≥ 100	h _{nom} + 30 ≥ 100	h _{nom} + 30 ≥ 100	h _{nom} + 2d ₀	h _{nom} + 2d ₀	h _{nom} + 2d ₀	h _{nom} + 2d ₀
Installation torque	T _{inst}	[Nm]	10	20	40	80	120	160	200
Min. spacing	s _{min}	[mm]	40	40	40	40	40	50	60
Min. edge distance	c _{min}	[mm]	40	40	40	40	40	50	60
MINIMUM EMBEDMENT DEPTH									
Min. installation depth	h _{nom,min}	[mm]	60	60	60	60	80	96	120
MAXIMUM EMBEDMENT DEPTH									
Min. installation depth	h _{nom,max}	[mm]	160	200	240	320	400	480	600

Minimum working and curing time

R-KER-II

Resin temperature	Concrete temperature	Curing time*	Working time
[°C]	[°C]	[min]	[min]
5	0	3 h	30
5	5	90	15
10	10	60	8
15	15	60	5
20	20	45	2.5
25	25	45	2
25	30	45	2
25	35	30	1.5
25	40	30	1.5

*For wet concrete the curing time must be doubled

Installation data

R-KER-II S

Resin temperature	Concrete temperature	Curing time*	Working time
[°C]	[°C]	[min]	[min]
5	5	12 h	40
10	10	8 h	20
15	15	6 h	15
20	20	4 h	10
25	25	3 h	9.5
25	30	2 h	7
25	35	2 h	6.5
25	40	1.5 h	6.5

*For wet concrete the curing time must be doubled

R-KER-II W

Resin temperature	Concrete temperature	Curing time*	Working time
[°C]	[°C]	[min]	[min]
5	0	2 h	14
5	5	60	9
10	10	45	5.5
15	15	30	3
20	20	15	2
25	25	10	1.5
25	30	10	1.5
25	35	5	1
25	40	5	1

*For wet concrete the curing time must be doubled

Mechanical properties

Size			M8	M10	M12	M16	M20	M24	M30
R-STUDS Metric Threaded Rods - Steel Class 5.8									
Nominal ultimate tensile strength - tension	f_{uk}	[N/mm ²]	500	500	500	500	500	500	500
Nominal yield strength - tension	f_{yk}	[N/mm ²]	400	400	400	400	400	400	400
Cross sectional area - tension	A_s	[mm ²]	37	58	84	157	245	353	560
Elastic section modulus	W_{el}	[mm ³]	31	62	109	278	541	935	1868
Characteristic bending resistance	$M^0_{Rk,s}$	[Nm]	19	37	65	166	324	561	1124
Design bending resistance	M	[Nm]	15	30	52	133	259	449	899
Allowable bending resistance	M_{rec}	[Nm]	11	21	37	95	185	321	642
R-STUDS Metric Threaded Rods - Steel Class 8.8									
Nominal ultimate tensile strength - tension	f_{uk}	[N/mm ²]	800	800	800	800	800	800	800
Nominal yield strength - tension	f_{yk}	[N/mm ²]	640	640	640	640	640	640	640
Cross sectional area - tension	A_s	[mm ²]	37	58	84	157	245	353	560
Elastic section modulus	W_{el}	[mm ³]	31	62	109	278	541	935	1868
Characteristic bending resistance	$M^0_{Rk,s}$	[Nm]	30	60	105	266	519	898	1799
Design bending resistance	M	[Nm]	24	48	84	213	416	718	1439
Allowable bending resistance	M_{rec}	[Nm]	17	34	60	152	297	513	1028

Mechanical properties

Size			M8	M10	M12	M16	M20	M24	M30
R-STUDS Metric Threaded Rods - A4									
Nominal ultimate tensile strength - tension	f_{uk}	[N/mm ²]	700	700	700	700	700	700	700
Nominal yield strength - tension	f_{yk}	[N/mm ²]	450	450	450	450	450	450	450
Cross sectional area - tension	A_s	[mm ²]	37	58	84	157	245	353	560
Elastic section modulus	W_{el}	[mm ³]	31	62	109	278	541	935	1868
Characteristic bending resistance	$M^0_{Rk,s}$	[Nm]	26	52	92	233	454	786	1574
Design bending resistance	M	[Nm]	17	34	59	149	291	504	1009
Allowable bending resistance	M_{rec}	[Nm]	12	24	42	107	208	360	721

Basic performance data

R-STUDS

Performance data for single anchor without influence of edge distance and spacing - ETAG 001

Size		M8	M10	M12	M16	M20	M24	M30	M8	M10	M12	M16	M20	M24	M30
Substrate		Non-cracked concrete						Cracked concrete							
MEAN ULTIMATE LOAD															
TENSION LOAD $N_{Ru,m}$															
R-STUDS METRIC THREADED RODS - STEEL CLASS 5.8															
Minimum embedment depth	[kN]	22.0	28.2	28.2	28.2	43.4	57.0	79.7	20.1	20.1	20.1	20.1	30.9	40.6	56.8
Maximum embedment depth	[kN]	22.0	34.8	50.6	94.2	147.0	211.7	335.9	22.0	34.8	50.6	94.2	147.0	211.7	335.9
R-STUDS METRIC THREADED RODS - STEEL CLASS 8.8															
Minimum embedment depth	[kN]	28.2	28.2	28.2	28.2	43.4	57.0	79.7	20.1	20.1	20.1	20.1	30.9	40.6	56.8
Maximum embedment depth	[kN]	32.9	52.2	75.9	141.3	220.5	317.5	503.8	32.9	52.2	75.9	141.3	220.5	317.5	503.8
R-STUDS METRIC THREADED RODS - A4															
Minimum embedment depth	[kN]	28.2	28.2	28.2	28.2	43.4	57.0	79.7	20.1	20.1	20.1	20.1	30.9	40.6	56.8
Maximum embedment depth	[kN]	28.9	45.8	66.6	124.0	193.6	278.7	442.2	28.9	45.8	66.6	124.0	193.6	278.7	442.2
SHEAR LOAD $V_{Ru,m}$															
R-STUDS METRIC THREADED RODS - STEEL CLASS 5.8															
Minimum embedment depth	[kN]	11.0	17.4	25.3	47.1	73.5	105.8	167.9	11.0	17.4	25.3	47.1	73.5	105.8	135.7
Maximum embedment depth	[kN]	11.0	17.4	25.3	47.1	73.5	105.8	167.9	11.0	17.4	25.3	47.1	73.5	105.8	167.9
R-STUDS METRIC THREADED RODS - STEEL CLASS 8.8															
Minimum embedment depth	[kN]	16.5	26.1	37.9	70.7	110.3	158.8	194.3	16.5	26.1	37.9	64.3	84.8	114.1	115.0
Maximum embedment depth	[kN]	16.5	26.1	37.9	70.7	110.3	158.8	240.4	16.5	26.1	37.9	70.7	110.3	158.8	226.9
R-STUDS METRIC THREADED RODS - A4															
Minimum embedment depth	[kN]	14.5	22.9	33.3	62.0	96.8	139.4	221.1	14.5	22.9	33.3	62.0	85.3	114.3	170.7
Maximum embedment depth	[kN]	14.5	22.9	33.3	62.0	96.8	139.4	221.1	14.5	22.9	33.3	62.0	96.8	139.4	221.1

Basic performance data

Size		M8	M10	M12	M16	M20	M24	M30	M8	M10	M12	M16	M20	M24	M30
CHARACTERISTIC LOAD															
TENSION LOAD N_{Rk}															
R-STUDS METRIC THREADED RODS - STEEL CLASS 5.8															
Minimum embedment depth	[kN]	18.0	23.5	23.5	23.5	36.1	47.5	66.4	15.1	16.7	16.7	16.7	25.8	33.9	47.3
Maximum embedment depth	[kN]	18.0	29.0	42.0	78.0	122.0	176.0	280.0	18.0	29.0	42.0	78.0	122.0	176.0	280.0
R-STUDS METRIC THREADED RODS - STEEL CLASS 8.8															
Minimum embedment depth	[kN]	23.5	23.5	23.5	23.5	36.1	47.5	66.4	15.1	16.7	16.7	16.7	25.8	33.9	47.3
Maximum embedment depth	[kN]	29.0	46.0	67.0	126.0	196.0	282.0	448.0	29.0	46.0	67.0	126.0	188.5	253.3	282.7
R-STUDS METRIC THREADED RODS - A4															
Minimum embedment depth	[kN]	23.5	23.5	23.5	23.5	36.1	47.5	66.4	15.1	16.7	16.7	16.7	25.8	33.9	47.3
Maximum embedment depth	[kN]	26.0	41.0	59.0	110.0	171.0	247.0	392.0	26.0	41.0	59.0	110.0	171.0	247.0	282.7
SHEAR LOAD V_{Rk}															
R-STUDS METRIC THREADED RODS - STEEL CLASS 5.8															
Minimum embedment depth	[kN]	9.00	14.0	21.0	39.0	61.0	88.0	132.8	9.00	14.0	21.0	33.5	51.5	67.7	94.7
Maximum embedment depth	[kN]	9.00	14.0	21.0	39.0	61.0	88.0	140.0	9.00	14.0	21.0	39.0	61.0	88.0	140.0
R-STUDS METRIC THREADED RODS - STEEL CLASS 8.8															
Minimum embedment depth	[kN]	15.0	23.0	34.0	46.9	72.3	95.0	132.8	15.0	23.0	33.5	33.5	51.5	67.7	94.7
Maximum embedment depth	[kN]	15.0	23.0	34.0	63.0	98.0	141.0	224.0	15.0	23.0	34.0	63.0	98.0	141.0	224.0
R-STUDS METRIC THREADED RODS - A4															
Minimum embedment depth	[kN]	13.0	20.5	29.0	46.9	72.3	95.0	132.8	13.0	20.0	29.0	33.5	51.5	67.7	94.7
Maximum embedment depth	[kN]	13.0	20.5	29.0	55.0	86.0	124.0	196.0	13.0	20.0	29.0	55.0	86.0	124.0	196.0
DESIGN LOAD															
TENSION LOAD N_{Rd}															
R-STUDS METRIC THREADED RODS - STEEL CLASS 5.8															
Minimum embedment depth	[kN]	12.0	15.7	15.7	15.7	24.1	31.7	44.3	10.1	11.2	11.2	11.2	17.2	22.6	31.6
Maximum embedment depth	[kN]	12.0	19.3	28.0	52.0	81.3	117.3	186.7	12.0	19.3	28.0	52.0	81.3	117.3	186.7
R-STUDS METRIC THREADED RODS - STEEL CLASS 8.8															
Minimum embedment depth	[kN]	15.7	15.7	15.7	15.7	24.1	31.7	44.3	10.1	11.2	11.2	11.2	17.2	22.6	31.6
Maximum embedment depth	[kN]	19.3	30.7	44.7	84.0	130.7	188.0	298.7	19.3	30.7	44.7	84.0	125.7	168.9	188.5
R-STUDS METRIC THREADED RODS - A4															
Minimum embedment depth	[kN]	13.9	15.7	15.7	15.7	24.1	31.7	44.3	10.1	11.2	11.2	11.2	17.2	22.6	31.6
Maximum embedment depth	[kN]	13.9	21.9	31.6	58.8	91.4	132.1	209.6	13.9	21.9	31.6	58.8	91.4	132.1	188.5
SHEAR LOAD V_{Rd}															
R-STUDS METRIC THREADED RODS - STEEL CLASS 5.8															
Minimum embedment depth	[kN]	7.20	11.2	16.8	31.2	48.2	63.3	88.5	7.20	11.2	16.8	22.3	34.4	45.2	63.1
Maximum embedment depth	[kN]	7.20	11.2	16.8	31.2	48.8	70.4	112.0	7.20	11.2	16.8	31.2	48.8	70.4	112.0
R-STUDS METRIC THREADED RODS - STEEL CLASS 8.8															
Minimum embedment depth	[kN]	12.0	18.4	27.2	31.3	48.2	63.3	88.5	12.0	18.4	22.3	22.3	34.4	45.2	63.1
Maximum embedment depth	[kN]	12.0	18.4	27.2	50.4	78.4	112.8	179.2	12.0	18.4	27.2	50.4	78.4	112.8	179.2
R-STUDS METRIC THREADED RODS - A4															
Minimum embedment depth	[kN]	8.33	13.1	18.6	31.3	48.2	63.3	88.5	8.33	12.8	18.6	22.3	34.4	45.2	63.1
Maximum embedment depth	[kN]	8.33	13.1	18.6	35.3	55.1	79.5	125.6	8.33	12.8	18.6	35.3	55.1	79.5	125.6

Basic performance data

Size		M8	M10	M12	M16	M20	M24	M30	M8	M10	M12	M16	M20	M24	M30
RECOMMENDED LOAD															
TENSION LOAD N_{rec}															
R-STUDS METRIC THREADED RODS - STEEL CLASS 5.8															
Minimum embedment depth	[kN]	8.57	11.2	11.2	11.2	17.2	22.6	31.6	7.18	7.97	7.97	7.97	12.3	16.1	22.5
Maximum embedment depth	[kN]	8.57	13.8	20.0	37.1	58.1	83.8	133.3	8.57	13.8	20.0	37.1	58.1	83.8	133.3
R-STUDS METRIC THREADED RODS - STEEL CLASS 8.8															
Minimum embedment depth	[kN]	11.2	11.2	11.2	11.2	17.2	22.6	31.6	7.18	7.97	7.97	7.97	12.3	16.1	22.5
Maximum embedment depth	[kN]	13.8	21.9	31.9	60.0	93.3	134.3	213.3	13.8	21.9	31.9	60.0	89.8	120.6	134.6
R-STUDS METRIC THREADED RODS - A4															
Minimum embedment depth	[kN]	9.93	11.2	11.2	11.2	17.2	22.6	31.6	7.18	7.97	7.97	7.97	12.3	16.1	22.5
Maximum embedment depth	[kN]	9.93	15.7	22.5	42.0	65.3	94.4	149.7	9.93	15.7	22.5	42.0	65.3	94.4	134.6
SHEAR LOAD V_{rec}															
R-STUDS METRIC THREADED RODS - STEEL CLASS 5.8															
Minimum embedment depth	[kN]	5.14	8.00	12.0	22.3	34.4	45.2	63.2	5.14	8.00	12.0	15.9	24.5	32.3	45.1
Maximum embedment depth	[kN]	5.14	8.00	12.0	22.3	34.9	50.3	80.0	5.14	8.00	12.0	22.3	34.9	50.3	80.0
R-STUDS METRIC THREADED RODS - STEEL CLASS 8.8															
Minimum embedment depth	[kN]	8.57	13.1	19.4	22.4	31.4	45.2	63.2	8.57	13.1	15.9	15.9	24.5	32.3	45.1
Maximum embedment depth	[kN]	8.57	13.1	19.4	36.0	56.0	80.6	128.0	8.57	13.1	19.4	36.0	56.0	80.6	128.0
R-STUDS METRIC THREADED RODS - A4															
Minimum embedment depth	[kN]	5.95	9.39	13.3	22.4	34.4	45.2	53.2	5.95	9.16	13.3	15.9	24.5	32.3	45.1
Maximum embedment depth	[kN]	5.95	9.39	13.3	25.2	39.4	56.8	89.7	5.95	9.16	13.3	25.2	39.4	56.8	89.7

Design performance data

R-STUDS

Size			M8	M10	M12	M16	M20	M24	M30
TENSION LOAD									
STEEL FAILURE; STEEL CLASS 5.8									
Characteristic resistance	$N_{Rk,s}$	[kN]	18.00	29.00	42.00	78.00	122.00	176.00	280.00
Partial safety factor	γ_{Ms}	-	1.50	1.50	1.50	1.50	1.50	1.50	1.50
STEEL FAILURE; STEEL CLASS 8.8									
Characteristic resistance	$N_{Rk,s}$	[kN]	29.00	46.00	67.00	126.00	196.00	282.00	448.00
Partial safety factor	γ_{Ms}	-	1.50	1.50	1.50	1.50	1.50	1.50	1.50
STEEL FAILURE; STEEL GRADE A4-70									
Characteristic resistance	$N_{Rk,s}$	[kN]	26.00	41.00	59.00	110.00	171.00	247.00	392.00
Partial safety factor	γ_{Ms}	-	1.87	1.87	1.87	1.87	1.87	1.87	1.87
COMBINED PULL-OUT AND CONCRETE CONE FAILURE; NON-CRACKED CONCRETE, C20/25 (40°C/24°C)									
Characteristic bond resistance	T_{Rk}	[N/mm ²]	16.00	15.00	15.00	13.00	10.00	10.00	8.00
COMBINED PULL-OUT AND CONCRETE CONE FAILURE; NON-CRACKED CONCRETE, C20/25 (80°C/50°C)									
Characteristic bond resistance	T_{Rk}	[N/mm ²]	16.00	15.00	15.00	13.00	10.00	10.00	8.00
COMBINED PULL-OUT AND CONCRETE CONE FAILURE; NON-CRACKED CONCRETE, C20/25 (120°C/80°C)									
Characteristic bond resistance	T_{Rk}	[N/mm ²]	8.50	8.00	8.00	7.00	5.50	5.50	4.50
COMBINED PULL-OUT AND CONCRETE CONE FAILURE; CRACKED CONCRETE, C20/25 (40°C/24°C)									
Characteristic bond resistance	T_{Rk}	[N/mm ²]	10.00	11.00	11.00	9.50	7.50	7.00	5.00
COMBINED PULL-OUT AND CONCRETE CONE FAILURE; CRACKED CONCRETE, C20/25 (80°C/50°C)									
Characteristic bond resistance	T_{Rk}	[N/mm ²]	10.00	11.00	11.00	9.50	7.50	7.00	5.00
COMBINED PULL-OUT AND CONCRETE CONE FAILURE; CRACKED CONCRETE, C20/25 (120°C/80°C)									
Characteristic bond resistance	T_{Rk}	[N/mm ²]	5.00	6.00	6.00	5.00	4.00	4.00	3.00
COMBINED PULL-OUT AND CONCRETE CONE FAILURE									
Installation safety factor	γ_2	-	1.00	1.00	1.00	1.00	1.00	1.00	1.00
Increasing factors for $N_{Rd,p}$ - C30/37	ψ_c	-	1.05	1.04	1.04	1.04	1.04	1.04	1.04
Increasing factors for $N_{Rd,p}$ - C40/50	ψ_c	-	1.07	1.07	1.07	1.07	1.07	1.07	1.07
Increasing factors for $N_{Rd,p}$ - C50/60	ψ_c	-	1.09	1.09	1.09	1.09	1.09	1.09	1.09
CONCRETE CONE FAILURE									
Installation safety factor	γ_2	-	1.00	1.00	1.00	1.00	1.00	1.00	1.00
Factor for cracked concrete	k	-	7.20	7.20	7.20	7.20	7.20	7.20	7.20
Factor for cracked concrete	$k_{cr,N}$	-	7.70	7.70	7.70	7.70	7.70	7.70	7.70
Factor for non-cracked concrete	k	-	10.10	10.10	10.10	10.10	10.10	10.10	10.10
Factor for non-cracked concrete	$k_{ucr,N}$	-	11.00	11.00	11.00	11.00	11.00	11.00	11.00
Edge distance	$c_{cr,N}$	[mm]	1.5* h_{ef}	1.5* h_{ef}	1.5* h_{ef}	1.5* h_{ef}	1.5* h_{ef}	1.5* h_{ef}	1.5* h_{ef}
Spacing	$s_{cr,N}$	[mm]	3.0* h_{ef}	3.0* h_{ef}	3.0* h_{ef}	3.0* h_{ef}	3.0* h_{ef}	3.0* h_{ef}	3.0* h_{ef}
CONCRETE SPLITTING FAILURE									
Installation safety factor	γ_2	-	1.00	1.00	1.00	1.00	1.00	1.00	1.00

Design performance data

Size			M8	M10	M12	M16	M20	M24	M30
SHEAR LOAD									
STEEL FAILURE; STEEL CLASS 5.8									
Characteristic resistance without lever arm	$V_{Rk,s}$	[kN]	9.00	14.00	21.00	39.00	61.00	88.00	140.00
Ductility factor	k_7	-	0.80	0.80	0.80	0.80	0.80	0.80	0.80
Characteristic resistance with lever arm	$M_{Rk,s}$	[Nm]	19.00	37.00	65.00	166.00	324.00	561.00	1124.00
Partial safety factor	γ_{Ms}	-	1.25	1.25	1.25	1.25	1.25	1.25	1.25
STEEL FAILURE; STEEL CLASS 8.8									
Characteristic resistance without lever arm	$V_{Rk,s}$	[kN]	15.00	23.00	34.00	63.00	98.00	141.00	224.00
Ductility factor	k_7	-	0.80	0.80	0.80	0.80	0.80	0.80	0.80
Characteristic resistance with lever arm	$M_{Rk,s}$	[Nm]	30.00	60.00	105.00	266.00	519.00	898.00	1799.00
Partial safety factor	γ_{Ms}	-	1.25	1.25	1.25	1.25	1.25	1.25	1.25
STEEL FAILURE; STEEL GRADE A4-70									
Characteristic resistance without lever arm	$V_{Rk,s}$	[kN]	13.00	20.00	29.00	55.00	86.00	124.00	196.00
Ductility factor	k_7	-	0.80	0.80	0.80	0.80	0.80	0.80	0.80
Characteristic resistance with lever arm	$M_{Rk,s}$	[Nm]	26.00	52.00	92.00	233.00	454.00	786.00	1574.00
Partial safety factor	γ_{Ms}	-	1.56	1.56	1.56	1.56	1.56	1.56	1.56
CONCRETE PRY-OUT FAILURE									
Factor	k	-	2.00	2.00	2.00	2.00	2.00	2.00	2.00
Installation safety factor	γ_2	-	1.00	1.00	1.00	1.00	1.00	1.00	1.00
CONCRETE EDGE FAILURE									
Anchor diameter	d_{nom}	[mm]	8.00	10.00	12.00	16.00	20.00	24.00	30.00
Effective length of anchor	ℓ_f	[mm]	min ($h_{ef}; 8d_{nom}$)	min ($h_{ef}; 8d_{nom}$)	min ($h_{ef}; 8d_{nom}$)	min ($h_{ef}; 8d_{nom}$)	min ($h_{ef}; 8d_{nom}$)	min ($h_{ef}; 8d_{nom}$)	min ($h_{ef}; 8d_{nom}$)
Installation safety factor	γ_2	-	1.00	1.00	1.00	1.00	1.00	1.00	1.00

Combined pull-out and concrete cone failure (TR 029, p.5.2.2.3. acc. to formula 5.2a - $N_{Rk,p}^0 = n \cdot d \cdot h_{ef} \cdot \tau_{Rk}$).

Concrete cone failure (TR 029, p.5.2.2.4. acc. to formula 5.3a - $N_{Rk,c}^0 = k_1 \cdot f_{ck,cube}^{0.5} \cdot h_{ef}^{1.5}$).

$h_{ef} = h_{nom}$

Allowable values for resistance in case of Seismic performance category C1

Size			M8	M10	M12	M16	M20	M24	M30
TENSION LOAD									
STEEL FAILURE; STEEL CLASS 5.8									
Characteristic resistance	$N_{Rk,s}$	[kN]	18.00	29.00	42.00	78.00	122.00	176.00	280.00
Partial safety factor	$\gamma_{Ms,seisC1}$	-	1.50	1.50	1.50	1.50	1.50	1.50	1.50
STEEL FAILURE; STEEL CLASS 8.8									
Characteristic resistance	$N_{Rk,s}$	[kN]	29.00	46.00	67.00	126.00	196.00	282.00	448.00
Partial safety factor	$\gamma_{Ms,seisC1}$	-	1.50	1.50	1.50	1.50	1.50	1.50	1.50
STEEL FAILURE; STEEL GRADE A4-70									
Characteristic resistance	$N_{Rk,s}$	[kN]	26.00	41.00	59.00	110.00	171.00	247.00	392.00
Partial safety factor	$\gamma_{Ms,seisC1}$	-	1.87	1.87	1.87	1.87	1.87	1.87	1.87
COMBINED PULL-OUT AND CONCRETE CONE FAILURE; CRACKED CONCRETE, C20/25 (40°C/24°C)									
Characteristic bond resistance	T_{Rk}	[N/mm ²]	8.00	10.00	10.00	9.50	7.50	7.00	4.00
COMBINED PULL-OUT AND CONCRETE CONE FAILURE; CRACKED CONCRETE, C20/25 (80°C/50°C)									
Characteristic bond resistance	T_{Rk}	[N/mm ²]	8.00	10.00	10.00	9.50	7.50	7.00	4.00
COMBINED PULL-OUT AND CONCRETE CONE FAILURE; CRACKED CONCRETE, C20/25 (120°C/80°C)									
Characteristic bond resistance	T_{Rk}	[N/mm ²]	4.50	5.00	6.00	5.00	4.00	4.00	2.00
PULL-OUT FAILURE									
Partial safety factor	$\gamma_{Mp,seisC1}$	-	1.50	1.50	1.50	1.50	1.50	1.50	1.50

Design performance data

Size			M8	M10	M12	M16	M20	M24	M30
SHEAR LOAD									
STEEL FAILURE; STEEL CLASS 5.8									
Characteristic resistance without lever arm	$V_{Rk,s}$	[kN]	6.30	10.10	14.70	27.30	42.70	61.60	98.00
Partial safety factor	$\gamma_{MsV,seisC1}$	-	1.25	1.25	1.25	1.25	1.25	1.25	1.25
STEEL FAILURE; STEEL CLASS 8.8									
Characteristic resistance without lever arm	$V_{Rk,s}$	[kN]	10.20	16.10	23.50	44.10	68.60	98.70	156.80
Partial safety factor	$\gamma_{MsV,seisC1}$	-	1.25	1.25	1.25	1.25	1.25	1.25	1.25
STEEL FAILURE; STEEL GRADE A4-70									
Characteristic resistance without lever arm	$V_{Rk,s}$	[kN]	9.10	14.40	20.70	38.50	59.90	86.50	137.40
Partial safety factor	$\gamma_{MsV,seisC1}$	-	1.56	1.56	1.56	1.56	1.56	1.56	1.56

Product commercial data

Product Code	Volume [ml]	Quantity [pcs]			Weight [kg]			Bar Codes
		Box	Outer	Pallet	Box	Outer	Pallet	
R-CFS+KERII-600 ¹⁾	600	1	1	36	10.0	10.0	390.0	5906675464817
R-CFS+KERII-600-S ¹⁾	600	1	1	36	10.0	10.0	390.0	5906675464824

1) ETA-17/0594